

Amarex KRT – Submersible Motor Pump



Applications:

- Waste water transport
- Municipal and industrial waste water
- Waste water treatment
- Sludge treatment
- Storm water transport

More information:

www.ksb.com/products



Type F/F-max



Type E/E-max



Type D



Type D-max



Type K/K-max



Type S-max

Intelligent monitoring



Amacontrol – Protection Module
for Water and Waste Water Products

Amarex KRT – Submersible Motor Pump

1 Reliable operation

- Non-clogging impellers with large free passages, optimised for every type of waste water
- Specially protected cable entry
- Monitoring: Sensors trigger a warning in the event of overheating or ingress of moisture

2 Energy savings

- Optimised hydraulic system yields high efficiency
- Energy-saving motors meeting IE3 requirements*

3 Dependability

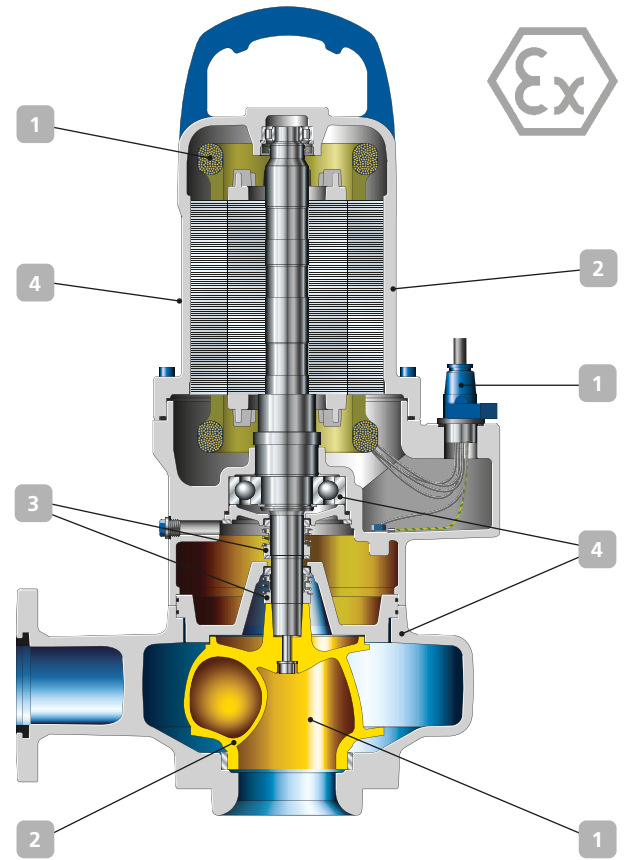
Two bi-directional mechanical seals

4 Cost efficiency

- The right material for every fluid. Available in grey cast iron or, optionally, in corrosion-resistant duplex stainless steel or wear-resistant white cast iron for a long service life
- Rolling element bearings are lubricated for life to reduce maintenance
- Optimised spare parts inventories: Standardised components are interchangeable within this type series and with the waste water pumps of the Sewatec type series

Flexibility

Various installation types to suit different building structures



Installation options



Stationary wet installation



Transportable wet installation



Stationary dry installation, horizontal



Stationary dry installation, vertical

Technical data

Sizes	DN 40 to 700
Capacity	Up to 10,080 m ³ /h
Head	Up to 120 m
Fluid temperature	Up to 60 °C
Automation possible	Yes

* IEC 60034-30 standard not binding for submersible motors. Efficiencies calculated/determined according to the measurement method specified in IEC 60034-2. The marking is used for submersible motors that achieve efficiency levels similar to those of standardised motors to the IEC 60034-30 standard.



KSB SE & Co. KGaA
Johann-Klein-Straße 9
67227 Frankenthal (Germany)
www.ksb.com